



oasis Installation & User MANUAL

with Rapid Heat & Solar PV Ready Functionality



Quick Reference

Record your details here:

Model No:

Serial No:

Purchase Date:

Installer:

Warranty Registered Online: Yes / No Date Registered / / 20

Please record the information below during installation as this will be required for any service or warranty related work that may be required.



Please contact your local distributor or contact Oasis directly and we will either direct you to your nearest authorised repairer for assistance.

- contact Oasis on 1800 815 913 or via our [Service Request](#) page on our web site;
- provide a copy of your invoice as proof of purchase;
- provide further information relating to the issue, including any photos or videos;
- have completed the online [warranty registration](#) or provide a completed warranty card.

Online Warranty Registration

Registering your Oasis Heat Pump is fast and easy, providing peace of mind that you've got great backup support for the life of your pool heating!

- Scan QR Code,
- No Need to create an account,
- Fill in your details,
- Upload a photo of the serial number,
- Submit.



<https://sunloverheating.com.au/service-request/warranty-registration/>

Table of Contents

3	Introduction
4	Important Things to Note
5	Specifications
7	Quick Start Guide
9	Safety
10	Location of Installation and Airflow Clearance
11	Air Deflector Installation
12	Installation & Connection
17	Controller Operation
24	Troubleshooting
27	Maintenance
33	Technical Support
34	Warranty



Introduction

Congratulations on your recent purchase of your Oasis Heat Pump.

Please take a moment to read through the entire manual before installing your new unit.

This manual contains all the necessary information in regard to the installation, troubleshooting, operation and maintenance of this unit.

Ensure instructions in this manual are adhered to at all times. Failing to comply with these recommendations will invalidate the warranty. While every effort has been made to ensure that the information contained in this manual is accurate and complete, no liability can be accepted for any errors or omissions.

The Oasis heat pump is the ideal choice for recreational pool & spa owners looking to extend their swim season with minimal running costs. Designed with the latest technology including stepless full DC inverter compressors, fans, and control systems – the Oasis iX series is the energy efficient and environmentally friendly way to enjoy a longer swim season.



There are 7 different size models in our range:

Single Phase	Three Phase
iX9	iX28T
iX13	iX36T
iX19	
iX24	
iX28	

It is important that you read through the manual to identify the key areas you need to understand, particularly the following:

- Health and Safety Concerns
- Installation requirements
- How to operate the major features of the unit
- The importance of maintenance
- If you have a problem, what you can do to trouble shoot before you contact your pool professional
- Your entitlements under the product warranty.

Thank you again for choosing an Oasis Heat Pump.

Please note: Oasis reserves the right to change the specification of the hardware and software described herein at any time without prior notice. This manual has been designed to cater for installation rules and codes in Australia. Specific rules and regulations for other countries may differ. Please speak with your installer should you have any questions.



Important Things to Note

Check that you have received the package in good condition

Ensure you meet the minimum clearances and recommended installation locations as outlined in the manual. Make sure that the unit is installed as per the ventilation diagrams to ensure efficient heating

All accessories (drain barbs, rubber feet and barrel unions) and the installation manual is contained in a plastic bag inside the packaging of your heat pump

Please refer to the warranty section of this manual and follow the outlined registration process

To avoid voiding your warranty, please refer to the maintenance requirements outlined in the warranty section of the manual

The time it takes to INITIALLY heat up your pool will be influenced by factors such as the pool's size, environmental conditions, and the installed system's capacity

The Heat Pump unit discharges condensation water from the bottom, similar to a household air conditioner, and requires regular inspection of the condensate drain to detect any obstructions or debris accumulation. It is important to keep the drain clean to allow for smooth condensate flow and proper discharge to the drainage system

If a Wi-Fi enabled controller has been installed, make sure that the heat pump area has sufficient 2.4ghz Wi-Fi signal strength

Under no circumstances should an unlicensed person attempt to install or repair an Oasis heat pump themselves

Use genuine Oasis spare parts only. Failure to comply with these recommendations will invalidate the product warranty

For any technical questions or additional information please contact your local distributor or contact Oasis directly

Directive 2002/96/EC (WEEE)

The crossed-out waste bin symbol under the appliance indicates that it should not be thrown away with regular household domestic waste at the end of its useful life. Instead, it should be taken to an electronic recycling centre or returned to the dealer when you buy a new one

Directive 2002/95/EC (RoHs):

This product is compliant with directive 2002/95/EC (RoHs) concerning restrictions for the use of harmful substances in electric and electronic devices.

Specifications



The data presented relates exclusively to the Oasis heat pump and excludes any auxiliary equipment. The product specifications mentioned above were precise at the time of printing, but are subject to change without prior notice.

For the latest and most accurate information, please contact an Oasis heat pump specialist.

Performance Data

		iX9	iX13	iX19	iX24	iX28	iX28T	iX36T	
Air 27°C Water 26°C	Heating Capacity	kW	1.6 ~ 9.4	2.13 ~ 12.8	2.9 ~ 18.9	3.1 ~ 24.6	5.8 ~ 28.0	5.5 ~ 28.9	5.7 ~ 36.0
	Consumed Power	kW	0.11 ~ 1.6	0.15 ~ 2.0	0.42 ~ 3.1	0.21 ~ 3.9	0.36 ~ 4.2	0.38 ~ 4.5	0.34 ~ 5.4
	COP		14.5 ~ 6.0	14.2 ~ 6.4	14.5 ~ 6.1	14.8 ~ 6.3	16.4 ~ 6.7	14.5 ~ 6.4	16.8 ~ 6.7
Air 15°C Water 26°C	Heating Capacity	kW	1.0 ~ 6.6	1.8 ~ 9.1	2.4 ~ 12.5	4.4 ~ 18.6	5.2 ~ 21.7	6.4 ~ 21.4	5.3 ~ 27.0
	Consumed Power	kW	0.14 ~ 1.35	0.26 ~ 1.9	0.34 ~ 2.6	0.6 ~ 3.7	0.7 ~ 3.9	0.9 ~ 4.2	0.7 ~ 5.1
	COP		7.1 ~ 4.9	6.9 ~ 4.8	7.1 ~ 4.8	7.3 ~ 5.02	7.4 ~ 5.6	7.1 ~ 5.1	7.6 ~ 5.3
Air 35°C Water 29°C	Cooling Capacity	kW	1.9 ~ 3.2	2.5 ~ 3.6	4.4 ~ 7.7	5.0 ~ 12.3	3.9 ~ 10.4	5.8 ~ 14.5	5.0 ~ 12.7
	Consumed Power	kW	0.7 ~ 1.3	0.8 ~ 1.2	1.5 ~ 3.1	1.5 ~ 3.9	1.3 ~ 4.7	1.8 ~ 4.7	1.5 ~ 4.4
	EER		2.7 ~ 2.5	3.1 ~ 3.0	3.3 ~ 2.9	3.0 ~ 2.2	3.2 ~ 2.8	3.2 ~ 2.8	3.4 ~ 2.9

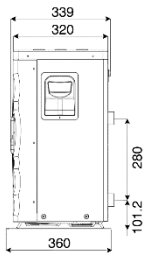
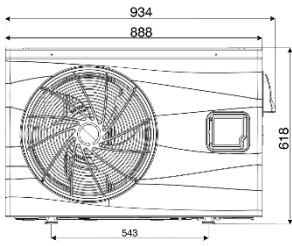
Technical Specifications

Operating air temperature		°C	-7 ~ 43						
PV Ready			Yes						
Rapid Heat			Yes						
Refrigerant			R32 GWP (global warming potential) – 675						
IPX rating			IPX4						
Airflow	m ³ /h		2600	3000	3750	4500	6000	4500	7200
Sound Pressure at 1m	dB(A)		40 ~ 52	42 ~ 54	44 ~ 56	45 ~ 56	46 ~ 54	45 ~ 57	48 ~ 56
Net Dimensions (L x W x H)	mm		934 x 360 x 618	934 x 360 x 618	1048 x 453 x 771	1160 x 490 x 865	1161 x 490 x 1277	1160 x 490 x 865	1161 x 490 x 1277
Net Weight	kg		42 / 54	44 / 56	60 / 74	87 / 103	111 / 132	99 / 115	120 / 137
Electrical	Power Supply	V/Ph/Hz	240/1/50				400/3/50		
	Electrical connection		10A plug	15A plug	Hardwired				
	Running Current input (per phase)	amp	6.9	9.0	13.9	17.9	24.1	7.6	10.5
Water	Connection	mm	40						
	Flow Volume	l/m	42	58	70	110	125	135	160
	Pressure Drop (max)	kPa	3.0	3.0	6.0	14.0	11.0	17.0	15.0

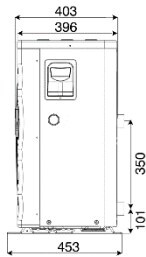
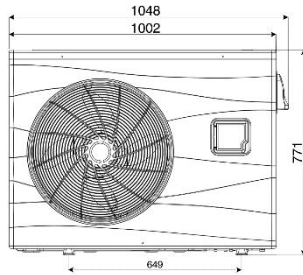
Unit Dimensions

Unit: mm

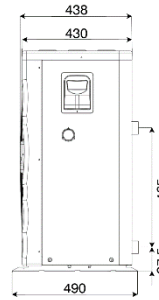
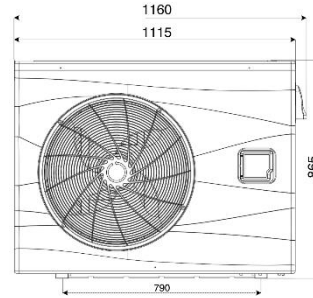
iX9 / iX13



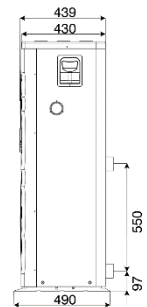
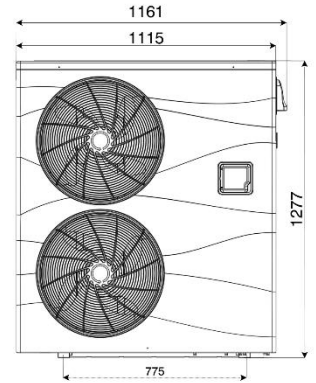
iX19



iX24 / iX28T



iX28 / iX36T



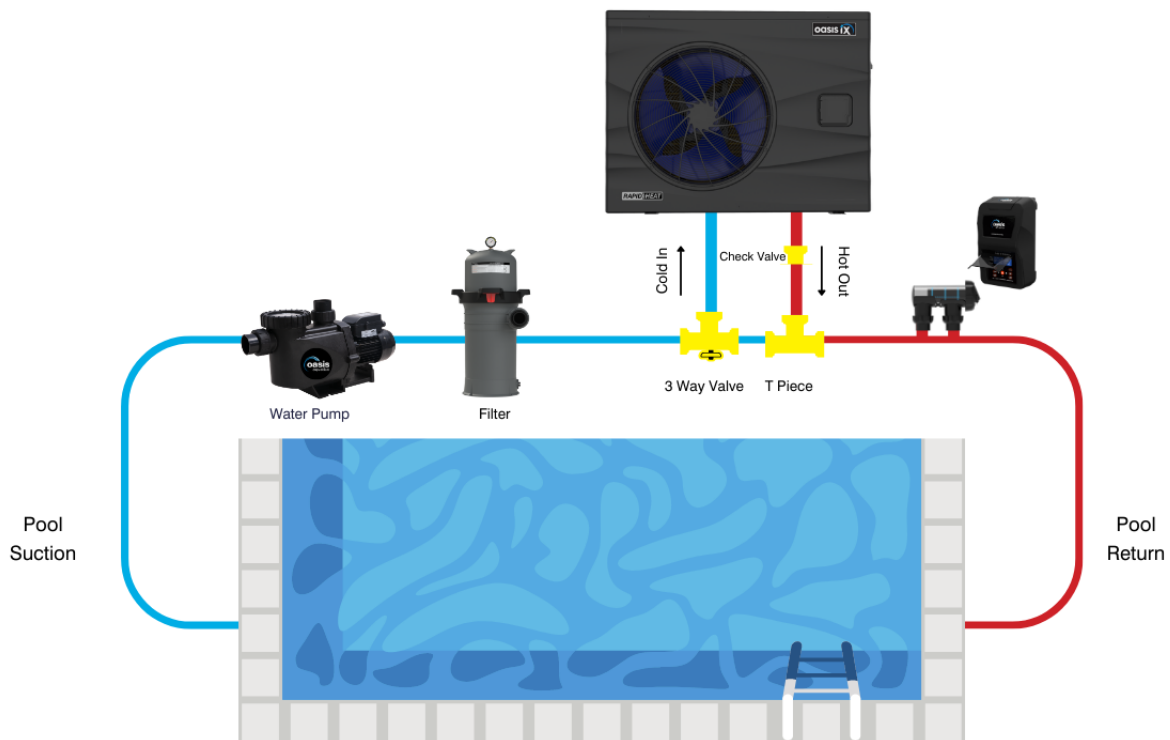
Quick Start Guide



- Ensure you meet the minimum clearances and recommended installation locations as outlined in the manual.
- All accessories (drain barbs, rubber feet and barrel unions) and the installation manual is contained in a plastic bag inside the packaging of your heat pump

Pre-Installation

1. Install the supplied rubber anti-vibration feet under the unit.
2. Position the heater on a level pad in the desired location on the pool water return line (as shown in the example image below).
3. Install the supplied condensation barb(s) to the underside of the unit and direct the condensation to an appropriate drainage point. The unit must sit level to allow condensation to drain correctly.



The schematic diagram is for reference only. Please check the water inlet/outlet label on the heat pump while plumbing the unit.

Plumbing Installation

PLEASE NOTE: The supplied fittings accept standard 40mm PVC pressure pipe.

1. Attach the supplied barrel unions to the inlet and outlet (hand tighten). Use plumbing tape on the thread and ensure the O-rings are installed and lubricated with a silicone-based grease.
2. Install a 3-way valve at the cold-water inlet and create a bypass by connecting a “T” piece to the heated line. This will allow for the adjustment of water flow to the unit.
3. Make the plumbing connections and brace pipework where necessary to prevent lateral strain being applied to the unions. This will aid in preventing future leaks.

Electrical Connection



OASIS HEAT PUMPS MUST BE CONNECTED BY A LICENSED ELECTRICIAN IN ACCORDANCE WITH ALL RELEVANT AUSTRALIAN STANDARDS, APPLICABLE LAWS AND LOCAL LEGISLATIONS.

Under no circumstances should an unlicensed person attempt to install or repair an Oasis heat pump themselves.

It is essential to ground the unit to safeguard against any short circuits that may occur inside the unit. Additionally, bonding is necessary.

The unit has a separate moulded-in junction box with a standard electrical conduit nipple already in place.

1. Remove the external cover to the electrical terminal by removing the screws and the terminal cover panel.
2. Feed the electrical cable lines through the conduit nipple and attach the electric supply wires.
3. To complete the electrical connection, install electrical conduit, UF cable or other suitable means as specified (as permitted by local electrical authorities) and connect the cable to a dedicated power supply branch circuit equipped with appropriate circuit protection.

Disconnect

An isolating switch **MUST** be installed within close proximity and in plain sight of the unit.

Initial Startup & Commissioning

NOTE: The water pump must be running and water circulating through the heat pump for the system to operate.

1. Turn on your water pump and check for water leaks and verify water flow to and from the pool.
2. Turn on the electrical power supply to the Oasis unit.
3. Press the ON/OFF **○** key of the controller for half a second, the heat pump will start within 60 seconds.
4. Adjust the bypass valve to set the water flow rate in accordance with the specifications on Page 5 of this manual. After 10 minutes of operation, the optimal flow rate will result in an inlet/outlet temperature difference of between one and two degrees Celsius.
5. Once the unit is running, switch off the water pump. The unit should then shut down on its own, which indicates the flow switch is functioning correctly.
6. Run both the unit and water pump continuously (night and day), until the desired water temperature is reached.
7. When the water-in temperature reaches this level, the unit will decrease its speed for a specific time. If the temperature remains constant for 45 minutes, the unit will shut down for one hour and sample the water temperature each hour thereafter, proving there is water flow.

In the event that the pool temperature drops more than 0.5 degrees below the desired temperature, the unit will restart automatically.



Installation, repair, or relocations should be completed by a fully qualified technician. If not carried out correctly, several hazards, such as fire, electric shock, water leakage, and injury, may occur.

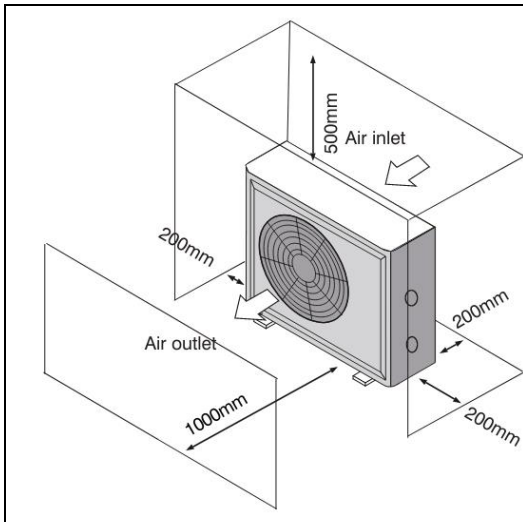
This appliance is not intended for use by persons (including children) with reduced physical sensory or mental capabilities, or lack of experience and knowledge, unless they have been given supervision or instruction concerning use of the appliance by a person responsible for their safety.

- A circuit protection device must be installed for the unit.
- To avoid risk of electrical shock, the unit must have a good power connection and earthing.
- Before obtaining access to terminals all supply circuits must be disconnected.
- The unit is equipped with an over- load protection system. After a stoppage, the unit will not start for at least 3 minutes.
- Do not use any means to accelerate the defrosting process or to clean other than those recommended by the manufacturer.
- If installing in an enclosed area, the equipment should be kept away from any sources of ignition. This includes items such as open flames, operating gas appliances, or operating electric heaters. Any refrigerant leakage can potentially result in a fire hazard.
- Do not pierce or burn the unit.
- Be aware that refrigerants may not contain an odour.
- If the supply cord is damaged, it must be replaced by the manufacturer, a qualified service agent or similarly qualified persons in order to avoid a risk.
- This appliance must be installed in accordance with national wiring regulations.

Location of Installation and Airflow Clearance

Before installation it is very important to ensure these five variables are carefully checked to allow the unit to operate correctly.

1. Heater condition
2. Clearances & air flow
3. Location
4. Adequate water flow & plumbing
5. Correct electrical connection & supply



To ensure optimal performance and prevent potential damage, the heat pump unit requires continuous fresh air while running.

The heater, which draws up to 80m³/min of ambient air through the sides and discharges it through the top fan cowl, must not be installed indoors or in an enclosed space without adequate ventilation. Doing so can result in poor performance, and in extreme cases, damage to the heater.

Locating the heater in an enclosed area will cause discharged cold air to recirculate into the unit, lowering heating efficiency and potentially causing icing up.

- Heat Pumps should ONLY be installed in an outdoor location with appropriate ventilation.
- Ensure the heater is installed in a well-ventilated area with plenty of fresh air.
- Leave sufficient space for unobstructed airflow into and out of the heater.
- At least 3.5m away from the water's edge.
- No greater than 7.5m from the water's edge (to avoid heat loss from the piping).
- No greater than 5.0m below the water level of the pool/spa.
- Ensure the heat pump is not installed close to harsh or corrosive chemicals.
- The heat pump MUST be installed on a flat level surface (the feet supplied are adjustable).
- A minimum gap between walls/fences etc of 200mm on the back and sides and 500mm overhead and 1000mm on the front clearance.

Make sure the heat pump is not located where large amounts of water may run-off from a roof into the unit. Sharp sloping roofs without gutters will allow excessive amounts of rain water mixed with debris from the roof to be forced through the unit. A water deflector may be needed to protect the heat pump.

Airflow

An air intake at the back of the unit draws warm ambient air, while a discharge fan at the front releases cold air. In cases where an obstruction is within **1.0m** of the front discharge of the installed unit, such as a wall or fence, installation of a deflector redirects air flow upwards or sideways instead of directly towards the obstruction.

Any space problem can be resolved easily with the optional purchase of a Sunlover Air Deflector to redirect the cold discharge air away, creating ample ventilation and airflow in any area.

Please contact our Support Specialist to discuss appropriate installation locations or discuss how an air deflector can assist.

Air Deflector Installation

Sunlover offers Air Deflectors as an optional purchase.

Recirculating the front air discharge back into the heat pump's air intake should be avoided.

If there are space constraints, installing an Air Deflector is a straightforward and economical solution.

NO PRE-DRILLING REQUIRED

Items required:

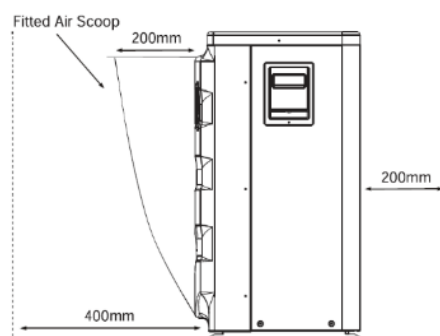
- Air Deflector/s
- Mounting hardware
4x 15 - 20mm long self tapping screws or tek (metal cutting) screws per deflector

the screws should preferably be gal or stainless steel for long term outdoor use



- Determine the appropriate placement. Ideally, the air deflector should be installed perpendicular to direct air upwards. However, a deflector can also be installed to redirect air discharge to the side(see below example)
- Place the deflector level over the fan cage, positioning with the large depth open end facing the direction where the air is to be expelled, making sure that the cage is completely enclosed and the deflector is level.

- The deflector is equipped with installation tabs on both sides, each featuring three holes as illustrated above. Once you have determined the best placement for the screws, mark the location of the chosen holes on the tabs using a marker for reference.
- Proceed to attach the deflector to the front of the heat pump using long self-tapping or tek screws to secure, taking care not to over-tighten the screws. This will ensure that the deflector remains firmly in place and directs the air flow as desired.



Heater Condition

Upon receiving the heater, inspect its packaging thoroughly for any apparent signs of damage and IMMEDIATELY notify your supplier if there are any signs of rough handling.

NOTE: All accessories (drain barbs, rubber feet and barrel unions) and the installation manual is contained in a plastic bag inside the packaging of your heat pump.

Plumbing

The unit's exclusive titanium heat exchanger requires no special plumbing arrangements except a bypass.

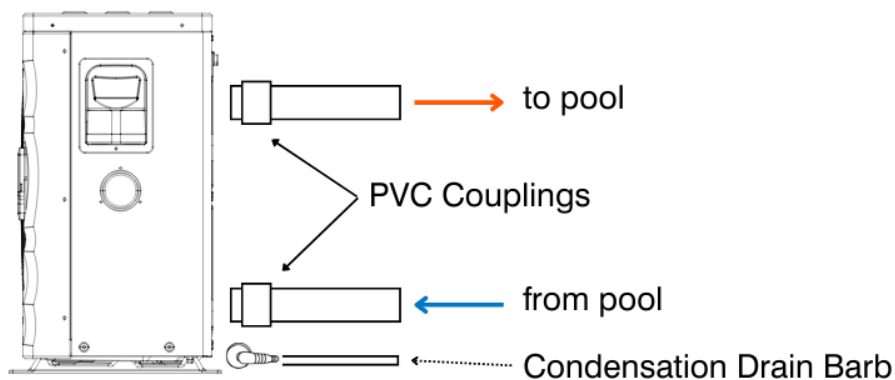
- Flow Rate** Ensure the water pump and plumbing is capable of meeting or exceeding the required flow rate in accordance with the specifications on Page 5 of this manual.

- Location** Connect the unit in the pool pump discharge (return) line downstream of all filter and pool pumps, and upstream of any chlorinators, ozonators or chemical pumps.

Oasis heat pump models have quick coupler fittings which accept 40mm PVC pressure pipe for connection to the pool or spa filtration piping.

Ensure pipework connecting to the inlet/outlet unions is appropriately supported as any lateral strain may cause the rubber O-rings to pinch and leak.

Lubricate all O-rings with silicon grease prior to fitment and apply plumbing tape to the threads for additional security.

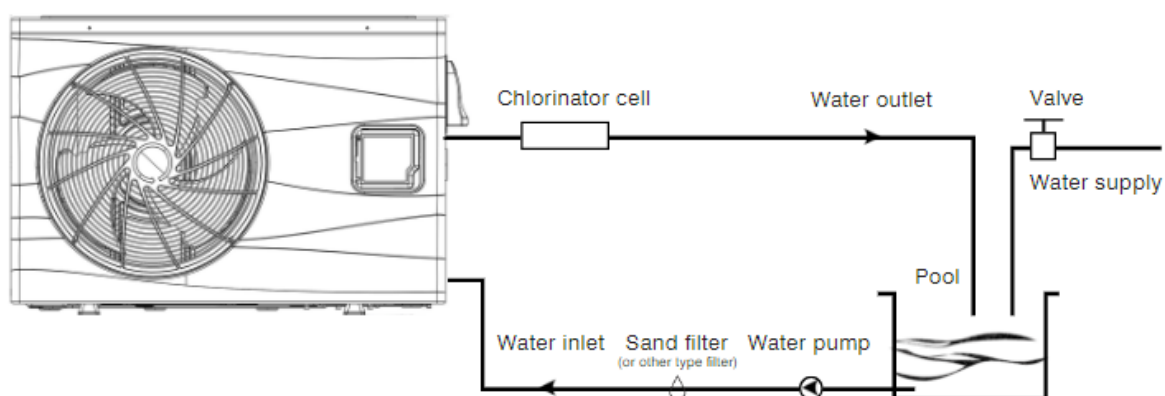


Installation & Connection

First Time Operation

When starting for the first time:

- Ensure the water pump is adequately primed.
- Adjust bypass valve to provide full flow to heat pump, which will aid in purging air from the system.
- Switch on the water pump and thoroughly check all plumbing connections for leaks.
- Start the heat pump in accordance with the instructions on Page 8 of this manual.



The diagram provided is intended for informational purposes only.
It depicts all the essential parts required, which must be obtained by the installer or the user.

Adequate Water Flow

All heat pumps have a factory pre-set internal water flow switch. If there is insufficient water flow the unit will not operate.

It is **CRITICAL** that there is sufficient water flow to the unit. Incorrect water flow can cause a loss of efficiency and possible damage to the unit. Optimal water flow rates are listed on Page 5 of this manual. It is imperative that water flow is kept as close as possible to these flow rates. Correct water flow not only offers optimal heater performance but may also prevent possible damage to your heater. As a rule of thumb there should be a minimum inlet/outlet temperature differential of one degree Celsius and a maximum of two degrees Celsius.

Before connecting the heater to the plumbing, all piping must be thoroughly flushed to ensure no debris can enter the heater. Failure to remove pipe debris can jam or damage the flow switch and may cause damage to the heater. When cleaning the pool, it is advisable to turn off your heater as restricted water flow may cause the heater to shut down and indicate low water flow fault (E03 error) and/or a high refrigerant pressure fault (E01 Error).



A variable speed pump or bypass valve and plumbing **MUST** be fitted to allow water flow to be adjusted through the heater. Do not directly connect a water pump with higher flow than required to the heat pump.

Time Delay

The unit is equipped with a 3-minute restart delay included to protect control circuit components and to eliminate short cycling.

This time delay will automatically restart the unit approximately 3 minutes after each control circuit interruption.

Initial Heat Up Time

Initial heat up times will vary depending on the size of your pool, environmental conditions and the capacity of the system installed. After installation, please allow the unit and pool pump to run continuously until the desired pool water temperature is reached (it may take several days for the pool to initially reach the set temperature).

Once the pool water reaches the desired set temperature, the unit will shut off. The unit will automatically restart (provided your pool pump is running) when the pool temperature falls more than 0.5°C below the desired set temperature.

Rubber Feet

All units are provided with rubber feet which we highly recommend being installed. The rubber feet help reduce vibration of the unit and provide a space below the heat pump to install the drainage barbs.

Condensate Drain Barbs

Fit the condensate drain barbs into the 2 holes under the unit if you need to direct water away from the heater. If the barb is too stiff, place it in hot water to soften.



Drainage & Condensation

Whilst the heater is operating, water in the air condenses on the fins of the evaporator. In the instance of high humidity, the condensate may be several litres per hour. This may give the impression that the heater is leaking, however this is a normal function of heat pumps.

The heater will automatically activate reverse cycle or de-icing mode when required which also increases condensate discharge. This normally occurs at temperatures below 8 deg C. As the ice melts from the evaporator fins, water will be discharged through the base of the heater. As an option a pipe can be connected to the drain on the base of the unit to direct condensate water to an appropriate location.



A quick way to verify that the water is condensation is to shut off the unit and keep the pool pump running. If the water stops running out of the base pan after several minutes, it is condensation.

Another method is to test the drain water for chlorine using a test strip. If there is no chlorine present, it can be concluded that the discharge is condensation.

Installation & Connection

Electrical Connection

Ensure the power cable and circuit protection device are of a suitable size for the heater being installed. Also check that there is adequate voltage and current available at the heater connection to run the unit.

Voltage range should be 220-240 volts for single phase, and 380-415 volts for 3 phase units. Voltage ranges outside these parameters will cause heater damage and void your warranty.

1. Ensure power is disconnected during installation or service.
2. Always comply with the national and local electrical codes and standards.
3. Ensure the electrical cable size is adequate for heater requirements at the installation location.
4. The heater must be equipped with appropriate circuit protection and isolation devices.
5. An additional circuit protection device must be installed between the heater and the water circulation pump if a water pump is hard-wired into the heater. Please note recommended circuit breaker sizes make no allowance for a water pump hard wired into the heater.
6. The unit must be well earthed. Remove the front panel to access the electrical connection terminals of the heater. The electrical wiring diagram is affixed to the inside of the front panel or at the back of this manual.



Heater electrical installation undertaken by an unlicensed installer will void the warranty. Correct installation is required to ensure safe and efficient operation of your pool heater. A licensed electrician must read the installation manual before connecting.

PV Ready Integration



PV Ready Manual

sunloverheating.com.au/pv-ready

For detailed information on the PV ready feature of the Oasis iX heat pump, we have a separate manual available for download.

This manual specifically focuses on the installation, configuration, and operation of the PV ready functionality, allowing you to seamlessly integrate your heat pump with solar power systems.

By accessing this manual, you will gain valuable insights into optimising the performance and energy efficiency of your Oasis iX heat pump through the PV ready feature.

Feel free to download the manual, and you'll be equipped with the knowledge to harness the full potential of this innovative technology.

Wi-Fi Module

If you have chosen to upgrade your Oasis iX heat pump to include the Wi-Fi Module, the comprehensive instruction manual has been made available separately for convenient download.

This manual provides instructions on how to set up and utilise the WIFI functionality of the heat pump, allowing you to control and monitor the unit remotely.

By downloading this manual, you will gain a deeper understanding of the available WIFI features and maximise the benefits of your Oasis iX heat pump.

Take a moment to download the manual, and you'll be well-equipped to make the most out of this advanced technology.



Wi-Fi Module

sunloverheating.com.au/wi-fi-module

Controller Operation

Main Controller Interface

The heat pump is equipped with a digital control panel with a touch screen, electronically connected and pre-set at the factory in heating mode.



1 Compressor indicator

2 Fan indicator  Normal Mode
 Silent Mode

3 Timer indicator

4 Current mode setting
(Auto/Heating/Cooling/Defrost)

5 Alarm indicator

6 Touchpad lock indicator

7 Water outlet temperature

8 On/Off/Back  key

9 Main (home) screen

10 Setpoint temperature

11 Water inlet temperature

12 Current time

13 Mode selection key
(Auto/Heating/Cooling)

14 Temperature adjustment setting

15 Silent mode timer setting

16 Silent mode activation setting

17 On/Off timer setting

18 Access advanced settings

19 Access list of faults

20 Time and date setting

21 Confirm selection

22 Back/cancel (changes not saved)

OFF Mode

When the heat pump is inactive (in standby mode) the screen is black. **OFF** is displayed, as shown below.



ON Mode

When the heat pump is active (running or setpoint reached) the screen is blue. The target temperature is displayed as shown below.



To manually switch from OFF to ON mode and vice versa, press the **○** key for 0.5 seconds.



If you have activated timers, the unit will automatically switch between OFF and ON in accordance with those settings.

Mode Selection



To change the mode (heating / cooling / auto), swipe across to the right and touch the **Mode** key. Select your desired mode and press OK to save.

Press **○** once (x1) to return to the home screen.

Controller Operation

Adjusting the Target Set Temperature

The setpoint can be changed in either ON or OFF mode in increments of 0.5°C.



To change the desired pool temperature, swipe across to the right and touch the **Temp Setting** key. Adjust the temperature setting by swiping up and down and press OK to save.

Press  once (x1) to return to the home screen.

Time and Date Settings

The setting for date and time can be configured in either ON or OFF mode.



To adjust the time and date, swipe across to the left and touch the **Time Setting** key. Adjust the date and press OK to continue. Adjust the time (note this is a 24-hour clock) and press OK to save.

Press  once (x1) to return to the home screen.

Timer Settings - On / Off

The heat pump is equipped with an on / off timer function, which allows users to choose specific start and finish times for the heat pump's operation to meet their specific requirements.

ONE Start Timer and ONE Stop Timer option can be set for the heat pump's operation.

The setting can be adjusted in one-hour increments.



Function	Colour Highlighting
Activated	Blue
Deactivated	Grey

To set the on / off timers, swipe across to the left and touch the **Timer** key. Adjust each timer by selecting the applicable row. Set the time in one-hour increments and press OK to save (note this is a 24-hour clock).

Activate or deactivate each timer by swiping on the icon, as shown above. The icon is blue when activated and grey when deactivated.

Press twice (x2) to return to the main screen.



Controller Operation

Tariff Timer Settings (Spot Timer)

The heat pump is equipped with a Spot Time function, which allows users to customise up to six timer schedules to take advantage of time-of-use tariffs.

This function can also be used to maximise self-consumption of PV solar energy where the heat pump is not connected to a compatible solar inverter or energy management system via the PV-Ready circuit(s).

The following parameters can be adjusted for each timer:

Function	Description
Mode	Select the operating mode (heating / cooling)
Target	Select the target pool temperature
Max Frequency	Select the maximum permissible operating capacity. (e.g. 100% allows unit to run at normal operating capacity)
Timer On/Off	Select the applicable run times
Days of Week	Select the applicable day(s)
Blue 	Timer activated
Grey 	Timer deactivated



A total of six timer switch time periods can be set, which can be selected by swiping across to the next screen using the arrows.



Restricting the running times and maximum frequency may result in a significant loss of water temperature, and/or an inability to reach the desired target temperature.

It is recommended that you activate a seven-day timer with the minimum operating times required to maintain a comfortable baseline pool temperature.

Additional timers can then be added to increase output or raise the target temperature during times where discounted or self-generated electricity is available.

Silent Mode Settings

Silent mode forces the heat pump to operate in an economic and quiet manner. This feature is commonly used to reduce noise when running the heat pump overnight. When silent mode is active, the fan indicator icon on the home screen will change from [🌀] to [🔇].

This function can be activated or deactivated manually, or by setting the silent timer.



To activate silent mode, swipe across to the right and touch the **Silent Mode** key. The icon is **white** when activated and **grey** when deactivated. Press **○** once (x1) to return to the home screen.

Adjusting the Silent Mode Timer



To set the silent mode timer, swipe across to the right and touch the **Silent Timing** key. Adjust the start and finish times in one-hour increments and press OK to save (note this is a 24-hour clock).

Activate or deactivate the silent timer by swiping on the icon, as shown above. The icon is blue when activated and grey when deactivated. Press **○** twice (x2) to return to the main screen.



Activating silent mode will reduce output and may result in a loss of water temperature, and/or a reduced ability to reach the desired target temperature.

Controller Operation

Touchpad Lock

The touchpad can be locked or unlocked in either ON or OFF mode.



Lock activated



Lock deactivated

The touchpad lock can be activated from the home screen by touching and holding the **5s** key for five seconds. The padlock symbol will be displayed at the top of the screen when the touch screen lock is active. To disable the lock, simply press and hold the **5s** key again for five seconds.

Fault Indicator

If a fault occurs on the heat pump, the controller will display a blinking fault indicator triangle at the top right-hand corner of the screen.



If your heat pump displays an E03 error message, this indicates that there is no water flowing through the unit.

If your pool filter pump is currently switched off, this error code is completely normal and the heat pump will automatically resume operation once water begins flowing again.

In most cases, an E03 error message can be disregarded and is simply an indicator that your filter pump is not currently running.



Unit will resume normal operation once the filter pump is switched back on.

Fault Indicator (continued)

Error messages may occur for a number of reasons. Once resolved, the message is automatically stored and the fault indicator triangle disappears. If the heat pump will not operate and the fault indicator is continuously blinking, check the error message and consult with the troubleshooting table overleaf for possible causes.



To determine the cause of the fault indicator, swipe across to the left and touch the **Fault** key. A list of historical error codes will be displayed, including a description of the error and time of occurrence.

To delete the error list, press on the  icon. Press **○** twice (x2) to return to the main screen.

Troubleshooting



Electronic Control Fault Message Table


To assist in determining the cause of the error message, refer to the table below.

Error Message	Error Code	Likely Cause	Elimination Methods
Inlet Temperature Sensor Fault	P01	The temperature sensor is open or short circuit	Check or replace the temperature sensor
Outlet Temperature Sensor Fault	P02	The temperature sensor is open or short circuit	Check or replace the temperature sensor
Ambient Temperature Sensor Fault	P04	The temperature sensor is open or short circuit	Check or replace the temperature sensor
Coil 1 Temperature Sensor Fault	P05	The temperature sensor is open or short circuit	Check or replace the temperature sensor
Coil 2 Temperature Sensor Fault	P15	The temperature sensor is open or short circuit	Check or replace the temperature sensor
Suction Temperature Sensor Fault	P07	The temperature sensor is open or short circuit	Check or replace the temperature sensor
Discharge Temperature Sensor Fault	P081	The temperature sensor is open or short circuit	Check or replace the temperature sensor
Exhaust Air Over Temperature Protocol	P082	The compressor is overloaded	Verify if the compressor system is operating normally
Antifreeze Temperature Sensor Fault	P09	The temperature sensor is open or short circuit	Check or replace the temperature sensor
Pressure Sensor Fault	PP	The pressure sensor has failed.	Check or replace the pressure sensor
High Pressure Protocol Protection	E01	1. Reduction in water flow, causing excessive refrigerant pressure. 2. Failed high pressure switch or other refrigeration system fault.	1. Clean pool filter and pump basket. Turn heater on and off and retest. Check bypass valve for correct setting. 2. Check the pressure refrigerant system and pressure switch (technician required).
Low Pressure Protocol	E02	Failed low pressure switch or loss of refrigerant.	Check the pressure refrigerant system and pressure switch (technician required).
Flow Switch Protocol (NO WATER FLOW)	E03	No water/little water flowing through heat pump.	Check pool plumbing and ensure filter pump is running.
NOTE: This is a normal error message that will be displayed when the pool pump is not running.			
Waterway Anti-Freezing Protocol	E05	Water or ambient temperature is too low	Check the water and ambient temperature
Inlet And Outlet Temperature Too Big	E06	Water flow is not sufficient through heat pump	Check the system for sufficient water flow
Anti-Freezing Protocol	E07	Water flow is not sufficient through heat pump	Check the system for sufficient water flow
Primary Anti-Freezing Protocol	E19	The ambient temperature is low	Check the ambient temperature sensor
Secondary Anti-Freezing Protocol	E29	The ambient temperature is low	Check the ambient temperature sensor
Comp. Overcurrent Protocol	E051	The compressor is overloaded	Verify if the compressor system is operating normally
Communication Fault	E08	Communication failure between wire controller and mainboard	Inspect the wire connection between the remote control and main board
Communication Fault (Speed Control Module)	E081	Speed control module and main board communication fail	Check the communication connection
Low AT Protection	TP	Ambient temperature is too low	Switch off unit until ambient temperature increases.
EC Fan Feedback Fault	F051	The fan motor has stopped running	Inspect the fan motor

Electronic Control Fault Message Table (continued)

Error Message	Error Code	Likely Cause	Elimination Methods
Fan Motor1 Fault	F031	1. Motor is in locked-rotor state 2. The wire connection between DC-fan motor module and fan motor is not connected	1. Replace the fan motor 2. Check wire connections
Fan Motor2 Fault	F032	1. Motor is in locked-rotor state 2. The wire connection between DC-fan motor module and fan motor is not connected	1. Replace the fan motor 2. Check wire connections
Drv1 MOP Alarm	F01	MOP drive alarm	Will automatically recover after 2.5mins
Inverter Offline	F02	Frequency conversion board and mainboard communication failure	Check the communication connection
IPM Protection	F03	IPM modular protection	Will automatically recover after 2.5mins
Comp. Driver Failure	F04	Lack of phase, step or drive hardware damage	Check inverter board and compressor
Dc Fan Fault	F05	Motor current feedback open circuit or short circuit	Check fan motor circuit
IPM Over Current	F06	IPM Input current is large	Check and adjust the current measurement
Inv. DC Over Voltage	F07	DC bus voltage > Dc bus over-voltage protection value	Check input voltage
Inv. DC Less Voltage	F08	DC bus voltage < Dc bus over-voltage protection value	Check input voltage
Inv. Input Less Voltage	F09	The input voltage is low, causing the in current is high	Check input voltage
Inv. Input Over Voltage	F10	The input voltage is too high, more than outage protection current RMS	Check input voltage
Inv. Sampling Voltage	F11	The input voltage sampling fault	Check input voltage
Comm. Err DSP-PFC	F12	DSP and PFC connect fault	Check the communication connection
Input Over Current	F26	The equipment load is too large	Check whether the unit is overloaded
PFC Fault	F27	The PFC circuit protection	Check the PFC switch tube for short or open circuit
IPM Over Heating	F15	The IPM module is overheat	Check operating current
Weak Magnetic Warning	F16	Compressor magnetic force is insufficient	Isolate the power and restart the unit multiple times. If the fault still exists, replace the compressor
Inv. Input Out Phase	F17	The input voltage lost phase	Check and measure the input voltage on each phase.
IPM Sampling Current	F18	IPM sampling fault	Check operating current
Inv. Temp. Probe Fail	F19	The temperature sensor is open or short circuit	Check or replace the temperature sensor
Inverter Overheating	F20	The transducer is overheating	Check operating current
Inv. Over Heating Warning	F22	Transducer temperature is too high	Check operating current
Comp. Over Current Warning	F23	Compressor electricity is large	Check compressor operating current
Input Over Current Warning	F24	Input current is too large	Check input operating current
EEPROM Error Warning	F25	MCU error	Check whether the main PCB is damaged and replace as required
V15V Over/Undervoltage Fault	F28	The V15C is overload or undervoltage	Check if the V15V input voltage is between 13.5v - 16.5v

F.A.Q


 Do I need to have my heat pump serviced?

It is recommended that you have your Oasis heat pump serviced once per year by your local certified air conditioning or refrigeration technician. If your unit is located in a coastal area, more frequent maintenance may be necessary.


During the service, they will check the operational pressures of the refrigeration system and clean the fin coil to ensure maximum performance.

 Do we have recommended service agents?

Oasis and Sunlover Heating have a large database of recommended service agents. Please contact us for your local service agent details.

 Should I check my unit regularly?

We recommend you check your unit regularly to avoid potential issues and damage to your heat pump.

 What should I be checking regularly?

Check the water inlet/outlets often for leaks. You should avoid the condition of no water or air entering into the system, as this will influence unit's performance and reliability.

You should clear the pool/spa filter regularly to avoid damage to the unit as a result of the dirty or clogged filter.

The area around the unit should be dry, clean and well ventilated. Make sure there is nothing blocking the airflow of the heater e.g. Leaf litter.

Check the power supply and cable connection often, should the unit begin to operate abnormally, switch it off and contact the qualified technician

CHECKS TO THE AREA

Prior to beginning work on systems containing flammable refrigerants, safety checks are necessary to ensure that the risk of ignition is minimised. For repair to the refrigerating system, the following precautions shall be complied with prior to conducting work on the system. prolonged period of no usage.

WORK PROCEDURE

Work shall be undertaken under a controlled procedure to minimise the risk of a flammable gas or vapour being present while the work is being performed.

GENERAL WORK AREA

All maintenance staff and others working in the local area shall be instructed on the nature of work being carried out.

Work in confined spaces shall be avoided. The area around the workspace shall be sectioned off. Ensure that the conditions within the area have been made safe by control of flammable material.

CHECKING FOR PRESENCE OF REFRIGERANT

The area shall be checked with an appropriate refrigerant detector prior to and during work, to ensure the technician is aware of potentially flammable atmospheres. Ensure that the leak detection equipment being used is suitable for use with flammable refrigerants, i.e. non-sparking, adequately sealed or intrinsically safe.

PRESENCE OF FIRE EXTINGUISHER

If any hot work is to be conducted on the refrigeration equipment or any associated parts, appropriate fire extinguishing equipment shall be available to hand. Have a dry powder or CO2 fire extinguisher adjacent to the charging.

NO IGNITION SOURCES

No person carrying out work in relation to a refrigeration system which involves exposing any pipe work that contains or has contained flammable refrigerant shall use any sources of ignition in such a manner that it may lead to the risk of fire or explosion. All possible ignition sources, including cigarette smoking, should be kept sufficiently far away from the site of installation, repairing, removing and disposal, during which flammable refrigerant can possibly be released to the surrounding space. Prior to work taking place, the area around the equipment is to be surveyed to make sure that there are no flammable hazards or ignition risks. No Smoking signs shall be displayed.

VENTILATED AREA

Ensure that the area is in the open or that it is adequately ventilated before breaking into the system or conducting any hot work. A degree of ventilation shall continue during the period that the work is carried out.

Maintenance

CHECKS TO THE REFRIGERATION EQUIPMENT

Where electrical components are being changed, they shall be fit for the purpose and to the correct specification. At all times the manufacturer's maintenance and service guidelines shall be followed. If in doubt consult the manufacturer's technical department for assistance.

The following checks shall be applied to installations using flammable refrigerants:

- The charge size is in accordance with the room size within which the refrigerant containing parts are installed;
- The ventilation machinery and outlets are operating adequately and are not obstructed; If an indirect refrigerating circuit is being used, the secondary circuit shall be checked for the presence of refrigerant;
- Marking to the equipment continues to be visible and legible. Markings and signs that are illegible shall be corrected;
- Refrigeration pipe or components are installed in a position where they are unlikely to be exposed to any substance which may corrode refrigerant containing components, unless the components are constructed of materials which are inherently resistant to being corroded or are suitably protected against being so corroded.

CHECKS TO ELECTRICAL DEVICES

Repair and maintenance to electrical components shall include initial safety checks and component inspection procedures. If a fault exists that could compromise safety, then no electrical supply shall be connected to the circuit until it is satisfactorily dealt with. If the fault cannot be corrected immediately but it is necessary to continue operation, an adequate temporary solution shall be used. This shall be reported to the owner of the equipment, so all parties are advised.

Initial safety checks shall include:

- That capacitors are discharged: this shall be done in a safe manner to avoid possibility of sparking;
- That there no live electrical components and wiring are exposed while charging, recovering or purging the system;
- That there is continuity of earth bonding.

CABLING

Check that cabling will not be subject to wear, corrosion, excessive pressure, vibration, sharp edges or any other adverse environmental effects. The check shall also consider the effects of aging or continual vibration from sources such as compressors or fans.

REPAIR TO INTRINSICALLY SAFE COMPONENTS

Do not apply any permanent inductive or capacitance loads to the circuit without ensuring that this will not exceed the permissible voltage and current permitted for the equipment in use.

Intrinsically safe components are the only types that can be worked on while live in the presence of a flammable atmosphere. The test apparatus shall be at the correct rating. Replace components only with parts specified by the manufacturer. Other parts may result in the ignition of refrigerant in the atmosphere from a leak.

REPAIRS TO SEALED COMPONENTS

- 1) During repairs to sealed components, all electrical supplies shall be disconnected from the equipment being worked upon prior to any removal of sealed covers, etc. If it is necessary to have an electrical supply to equipment during servicing, then a permanently operating form of leak detection shall be located at the most critical point to warn of a potentially hazardous situation.
- 2) Particular attention shall be paid to the following to ensure that by working on electrical components, the casing is not altered in such a way that the level of protection is affected. This shall include damage to cables, excessive number of connections, terminals not made to original specification, damage to seals, incorrect fitting of glands, etc.

Ensure that apparatus is mounted securely.

Ensure that seals or sealing materials have not degraded such that they no longer serve the purpose of preventing the ingress of flammable atmospheres. Replacement parts shall be in accordance with the manufacturer's specifications.

NOTE: The use of silicon sealant may inhibit the effectiveness of some types of leak detection equipment. Intrinsically safe components do not have to be isolated prior to commencing works.

DETECTION OF FLAMMABLE REFRIGERANTS

Under no circumstances shall potential sources of ignition be used in the searching for or detection of refrigerant leaks. A halide torch (or any other detector using a naked flame) shall not be used.

LEAK DETECTION METHODS

The following leak detection methods are deemed acceptable for systems containing flammable refrigerants.

Electronic leak detectors shall be used to detect flammable refrigerants, but the sensitivity may not be adequate, or may need re-calibration. (Detection equipment shall be calibrated in a refrigerant-free area.)

Ensure that the detector is not a potential source of ignition and is suitable for the refrigerant used. Leak detection equipment shall be set at a percentage of the LFL of the refrigerant and shall be calibrated to the refrigerant employed and the appropriate percentage of gas (25 % maximum) is confirmed.

Leak detection fluids are suitable for use with most refrigerants but the use of detergents containing chlorine shall be avoided as the chlorine may react with the refrigerant and corrode the copper pipe-work.

If a leak is suspected, all naked flames shall be removed/ extinguished.

If a leakage of refrigerant is found which requires brazing, all of the refrigerant shall be recovered from the system, or isolated (by means of shut off valves) in a part of the system remote from the leak. Oxygen free nitrogen (OFN) shall then be purged through the system both before and during the brazing process.

Maintenance

REMOVAL AND EVACUATION

When breaking into the refrigerant circuit to make repairs or for any other purpose conventional procedures shall be used. However, it is important that best practice is followed since flammability is a consideration. The following procedure shall be adhered to:

- Remove refrigerant;
- Purge the circuit with inert gas;
- Evacuate;
- Purge again with inert gas;
- Open the circuit by cutting or brazing.

The refrigerant charge shall be recovered into the correct recovery cylinders. The system shall be "flushed" with OFN to render the unit safe. This process may need to be repeated several times. Compressed air or oxygen shall not be used for this task.

Flushing shall be achieved by breaking the vacuum in the system with OFN and continuing to fill until the working pressure is achieved, then venting to atmosphere, and finally pulling down to a vacuum. This process shall be repeated until no refrigerant is within the system. When the final OFN charge is used, the system shall be vented down to atmospheric pressure to enable work to take place. This operation is absolutely vital if brazing operations on the pipe-work are to take place.

Ensure that the outlet for the vacuum pump is not close to any ignition sources and there is ventilation available.

LABELLING

Equipment shall be labelled stating that it has been de-commissioned and emptied of refrigerant. The label shall be dated and signed. Ensure that there are labels on the equipment stating the equipment contains flammable refrigerant.

RECOVERY

When removing refrigerant from a system, either for servicing or decommissioning, it is recommended good practice that all refrigerants are removed safely.

When transferring refrigerant into cylinders, ensure that only appropriate refrigerant recovery cylinders are employed. Ensure that the correct number of cylinders for holding the total system charge is available. All cylinders to be used are designated for the recovered refrigerant and labelled for that refrigerant (i.e. special cylinders for the recovery of refrigerant). Cylinders shall be complete with pressure relief valve and associated shut-off valves in good working order. Empty recovery cylinders are evacuated and, if possible, cooled before recovery occurs.

The recovery equipment shall be in good working order with a set of instructions concerning the equipment that is at hand and shall be suitable for the recovery of flammable refrigerants. In addition, a set of calibrated weighing scales shall be available and in good working order. Hoses shall be complete with leak-free disconnect couplings and in good condition. Before using the recovery machine, check that it is in satisfactory working order, has been properly maintained and that any associated electrical components are sealed to prevent ignition in the event of a refrigerant release. Consult manufacturer if in doubt.

The recovered refrigerant shall be returned to the refrigerant supplier in the correct recovery cylinder, and the relevant Waste Transfer Note arranged. Do not mix refrigerants in recovery units and especially not in cylinders.

If compressors or compressor oils are to be removed, ensure that they have been evacuated to an acceptable level to make certain that flammable refrigerant does not remain within the lubricant. The evacuation process shall be carried out prior to returning the compressor to the suppliers. Only electric heating to the compressor body shall be employed to accelerate this process. When oil is drained from a system, it shall be carried out safely.

DECOMMISSIONING

Before carrying out this procedure, it is essential that the technician is completely familiar with the equipment and all its detail. It is recommended good practice that all refrigerants are recovered safely. Prior to the task being carried out, an oil and refrigerant sample shall be taken in case analysis is required prior to re-use of reclaimed refrigerant. It is essential that electrical power is available before the task is commenced.

- a. Become familiar with the equipment and its operation.
- b. Isolate system electrically.
- c. Before attempting the procedure ensure that:
 - i. Mechanical handling equipment is available, if required, for handling refrigerant cylinders;
 - ii. All personal protective equipment is available and being used correctly;
 - iii. The recovery process is always supervised by a competent person;
 - iv. Recovery equipment and cylinders conform to the appropriate standards.
- d. Pump down refrigerant system, if possible.
- e. If a vacuum is not possible, make a manifold so that refrigerant can be removed from various parts of the system.
- f. Make sure that cylinder is situated on the scales before recovery takes place.
- g. Start the recovery machine and operate in accordance with manufacturer's instructions.
- h. Do not overfill cylinders. (No more than 80 % volume liquid charge).
- i. Do not exceed the maximum working pressure of the cylinder, even temporarily.
- j. When the cylinders have been filled correctly and the process completed, make sure that the cylinders and the equipment are removed from site promptly and all isolation valves on the equipment are close doff.
- k. Recovered refrigerant shall not be charged into another refrigeration system unless it has been cleaned and checked.

CHARGING PROCEDURES

In addition to conventional charging procedures, the following requirements shall be followed.

- Ensure that contamination of different refrigerants does not occur when using charging equipment. Hoses or lines shall be as short as possible to minimise the amount of refrigerant contained in them.
- Cylinders shall be kept upright.
- Ensure that the refrigeration system is earthed prior to charging the system with refrigerant.
- Label the system when charging is complete (if not already).
- Extreme care shall be taken not to overfill the refrigeration system.

Prior to recharging the system, it shall be pressure tested with OFN. The system shall be leak tested on completion of charging but prior to commissioning. A follow up leak test shall be carried out prior to leaving the site.

The safety wire model is 5*20_5A/250VAC, and must meet the explosion-proof requirements.

Technical Support and Warranty Requests



For all warranty enquiries please contact your local distributor or contact Oasis directly and we will direct you to your nearest authorised repairer for assistance.

- contact Oasis on 1800 815 913 or via our [Service Request](#) page on our web site;
- provide a copy of your invoice as proof of purchase;
- provide further information relating to the issue, including any photos or videos;
- have completed the online warranty registration or provide a completed warranty card.

OASIS

Ph: 1800 815 913

Website: <https://sunloverheating.com.au/online-service-request/>

Email: sales@sunloverheating.com.au

Governing Australian Consumer Law

Our goods come with guarantees that cannot be excluded under the Australian Consumer Law. You are entitled to a replacement or refund for a major failure and for compensation for any other reasonably foreseeable loss or damage. You are also entitled to have the goods repaired or replaced if the goods fail to be of acceptable quality and the failure does not amount to a major failure.

This Warranty applies to domestic and commercial products purchased and installed in Australia & New Zealand ONLY.

Warranty Period

Your **Oasis Heat Pump** warranty commences from the date of purchase for the sole benefit of the original consumer and with respect to the original installation only (non-transferable under any circumstance)

25 Years	Titanium heat exchanger against corrosion <i>Casing of heat exchanger is covered for 2 years</i>
5 Years	Compressor
2 Years	Parts
2 Years	External Controllers and Boost Pumps, if applicable <i>refer separate product warranty document</i>
1 Year	Installation & Labour completed by Oasis or Sunlover Heating
1 Year	Demonstration, refurbished, discontinued or otherwise previously unboxed unit/s

On Commercial Installations, such as but not exclusively health clubs, swim schools, motels / hotels and hydrotherapy, parts and in field labour warranty, the warranty period is limited to twelve (12) months only.

Warranty Coverage

During the Warranty Period, Sunlover warrants that the Product will be free from material defects in materials and workmanship under normal use and maintenance.

This Warranty is subject to the terms and conditions set out hereunder.

- This warranty excludes any defect or injury caused by or resulting from misuse, abuse, neglect, accidental damage, improper voltage, vermin or insect infestation, incompetent installation, any fault not attributable to faulty manufacture or parts, any modifications which affect the reliability or performance of the unit.
- This Warranty does not cover any cost of labour after the initial period of 12 months from date of installation. Any labour cost incurred in the execution of this Warranty after this period is the sole responsibility of the Consumer.
- If a defect in materials or workmanship occurs within the warranty period Oasis will, at its discretion repair or replace product or the defective part of the product free of charge or cause the product or the defective part to be repaired or replaced by an Authorised Oasis Aquatics Service Agent free of charge.

Warranty

- Equipment defects covered by this Warranty will be repaired or replaced at the discretion of Oasis without cost to the owner for parts or direct repair labour. Should the buyer purchase parts / components from their own supplier, the company may at their own discretion reject or reimburse the cost to which the company can purchase the part for. The repair or replacement shall be performed during normal business hours by authorized technical service agents or Oasis. Service outside the normal operating area will incur a traveling fee.
- Oasis reserves the right to substitute defective parts or the product with parts or product of similar quality, grade and performance where an identical part or product is not available. Parts or products may be replaced by refurbished goods of the same type rather than be repaired.
- The company does not assume nor permits any person to assume any additional liabilities in relation to the sale of this equipment on its behalf.
- No employee, agent or representative of Oasis or Sunlover Heating nor the Buyer has any authority to vary the terms of this Warranty.

This warranty does not cover the following:

- a. Natural Disasters (hail, lightning, flood, fire etc.)
- b. Rust or damage to paintwork caused by a corrosive atmosphere.
- c. When a unit is installed by an unqualified person.
- d. Where a unit is incorrectly installed.
- e. When failure occurs due to improper or faulty installation.
- f. Damage or problems caused by the use of an accessory, component or equipment not approved by Oasis or Sunlover.
- g. When serviced by an unauthorized person without the permission of Oasis.
- h. Failure due to improper maintenance.
- i. Equipment which has been re-installed at a location other than the original location.
- j. 'No Fault Found' service calls where the perceived problem is explained within the operation instructions.
- k. Costs associated with delivery, handling, freight, or damage to the product in transit.
- l. Items that are replaced as part of routine maintenance.
- m. Damage, problems or unsatisfactory performance resulting from misapplication of the equipment.

Definitions

"Buyer" refers to the person or entity who initially purchases equipment from Oasis Technologies or Sunlover Heating Pty Ltd.

"Company" refers to Oasis Technologies Ltd or Sunlover Heating Pty Ltd.

"Equipment" or "Goods" specifically refer to the Heat Pump.

"Purchaser" is the individual or organization who buys the Heat Pump for their own use as a consumer or end user.

Owner's Responsibility

Proper operation and regular maintenance of the equipment are the responsibility of the owner, and should be carried out according to the recommended time and frequency specified in the manual to avoid voiding the warranty. The correction of any non-product fault or problem is not covered by this warranty.

Disclaimer

Information in this guide is intended to provide general information on a particular subject(s) in good faith and is not an exhaustive treatment of such subject(s). Its use is beyond the control of the author, contributor, publishers and distributors and should not be relied upon without consulting your local Professional for comprehensive advice.

This guide includes subject(s) that should only be performed by or under the direction and advice of your local professional and under no circumstances should the guide be used as a substitute for such professionals.

No representations or warranties are made that the content, advice and recommendations in this guide are current, free from errors or omissions, or appropriate for the user's circumstances or abilities. No liability or responsibility is accepted for any loss suffered as a result of any user's reliance on such content.

Notes



Notes



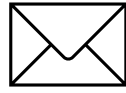


Sunlover are the sole distributor of Oasis Heat Pumps in Australia

For inquiries, contact us.



sunloverheating.com.au



sales@sunloverheating.com.au



1800 815 913



ABN: 87 858 371 003

Head Office
6-8 Austral Place
Hallam VIC 3803

Phone: 03 9887 2131

New South Wales
Unit 2, 10 Boden Road
Seven Hills NSW 2147

Phone: 02 9838 0000

Queensland
11 Andy Court
Upper Coomera QLD 4209

Phone: 07 5679 6821

New Zealand
Oasis Heat Pumps
Unit 1, 4 Antares Place
Rosedale, Auckland 0632
Phone: 09 535 8891

